

Installation instructions for PZ4AL-01561-00  
Under Run Protective Shield Engine Bay and Transmission Case

## TOYOTA Corolla Verso





## TOYOTA Verso

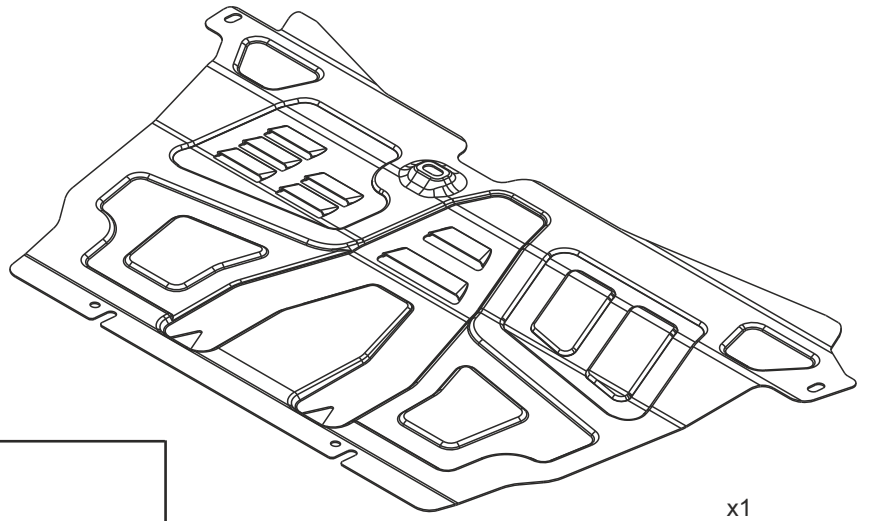


## TOYOTA Avensis

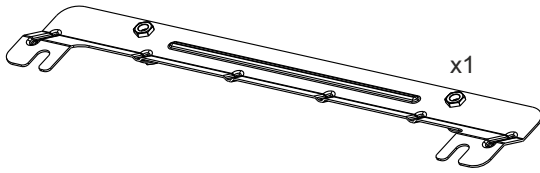


Model Year:	Corolla Verso - 2009	Verso - 2012	Avensis - 2009	Avensis - 2011
Vehicle Code:	ZGR20L-GWFDPW ZGR21L-GWXDPW ZGR21L-GWFEPW ZGR21L-GWXEPW ZGR21L-GWXEPW	ZGR20L-GWFDPW ZGR21L-GWFEPW ZGR21L-GWXDPW ZGR21L-GWXEPW ZGR21L-GWXEPW 7 мекТ	ZRT270L-AEFNPW ZRT271L-AEFNPW ZRT271L-AEXNPW ZRT271L-AEFEPW ZRT271L-AEXEPW ZRT272L-AEXGPW ZRT271L-AWFNPW ZRT271L-AWXNPW ZRT271L-AWXEPW ZRT272L-AWXGPW	ZRT271L-AEFNPW ZRT271L-AEXNPW ZRT271L-AEFEPW ZRT271L-AEXEPW ZRT271L-AEXGPW ZRT271L-AWFNPW ZRT271L-AWXEPW PZ4AL-01561-00
Part Number:				
 Weight:				7,15 kg
 Installation Time:				25 min
Manual reference number:				AIM 001 763-0

**A**

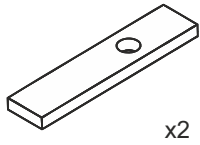


**B**

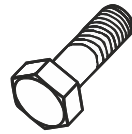


PZ4AL-01561-60

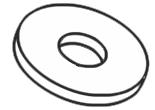
**C**



**D**



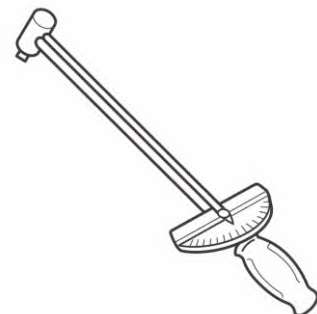
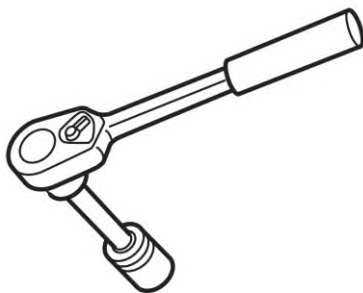
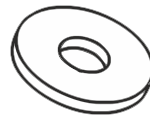
**E**



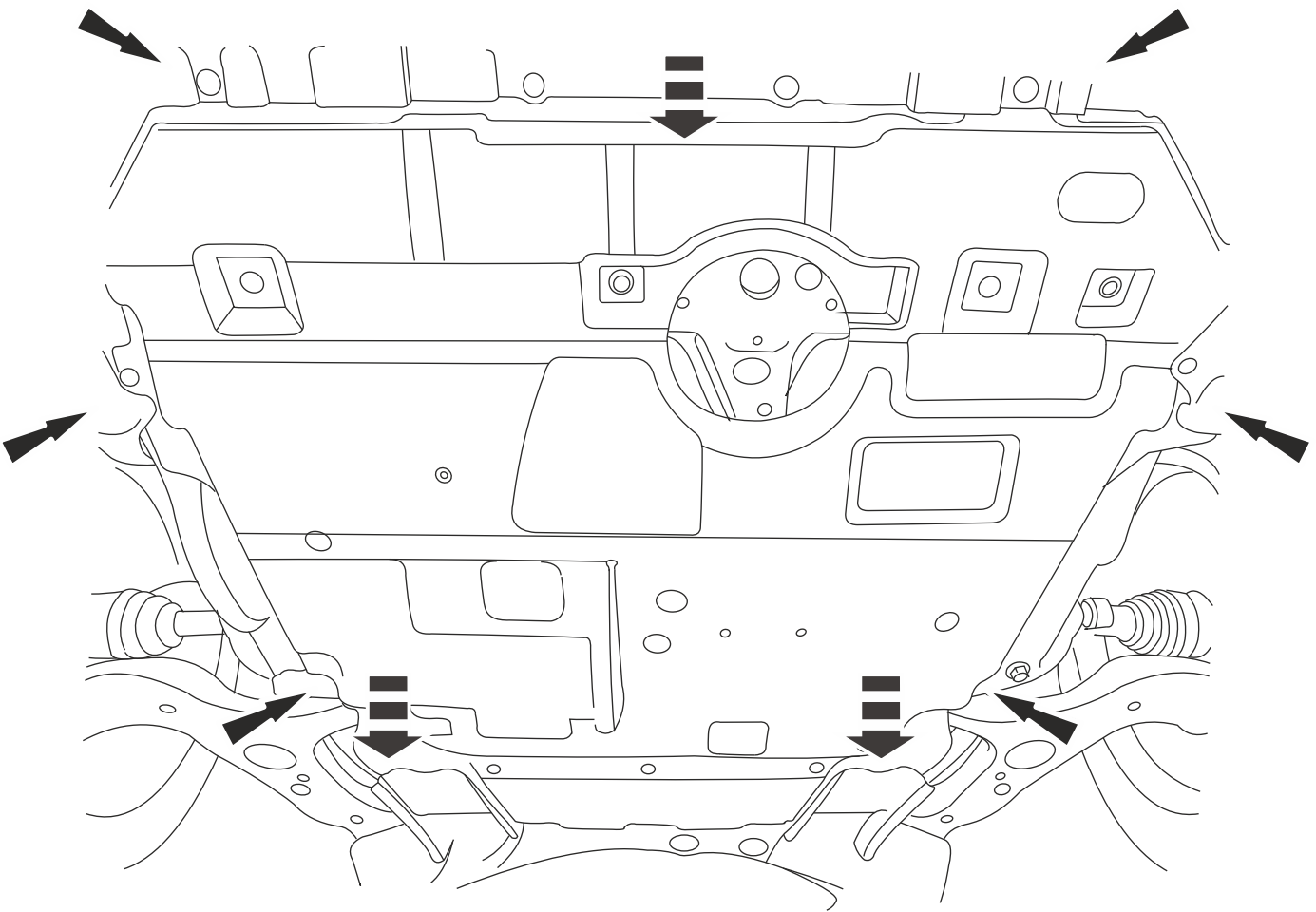
**F**



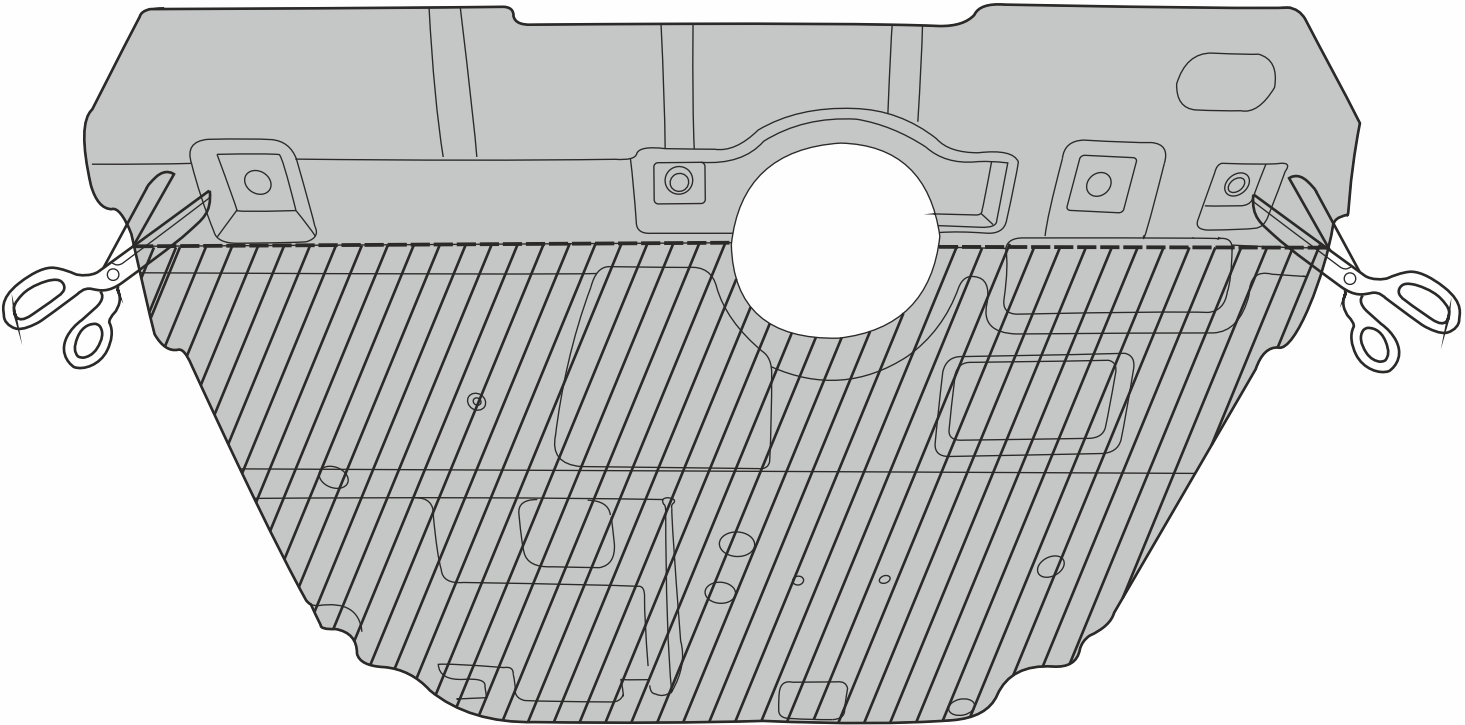
**G**



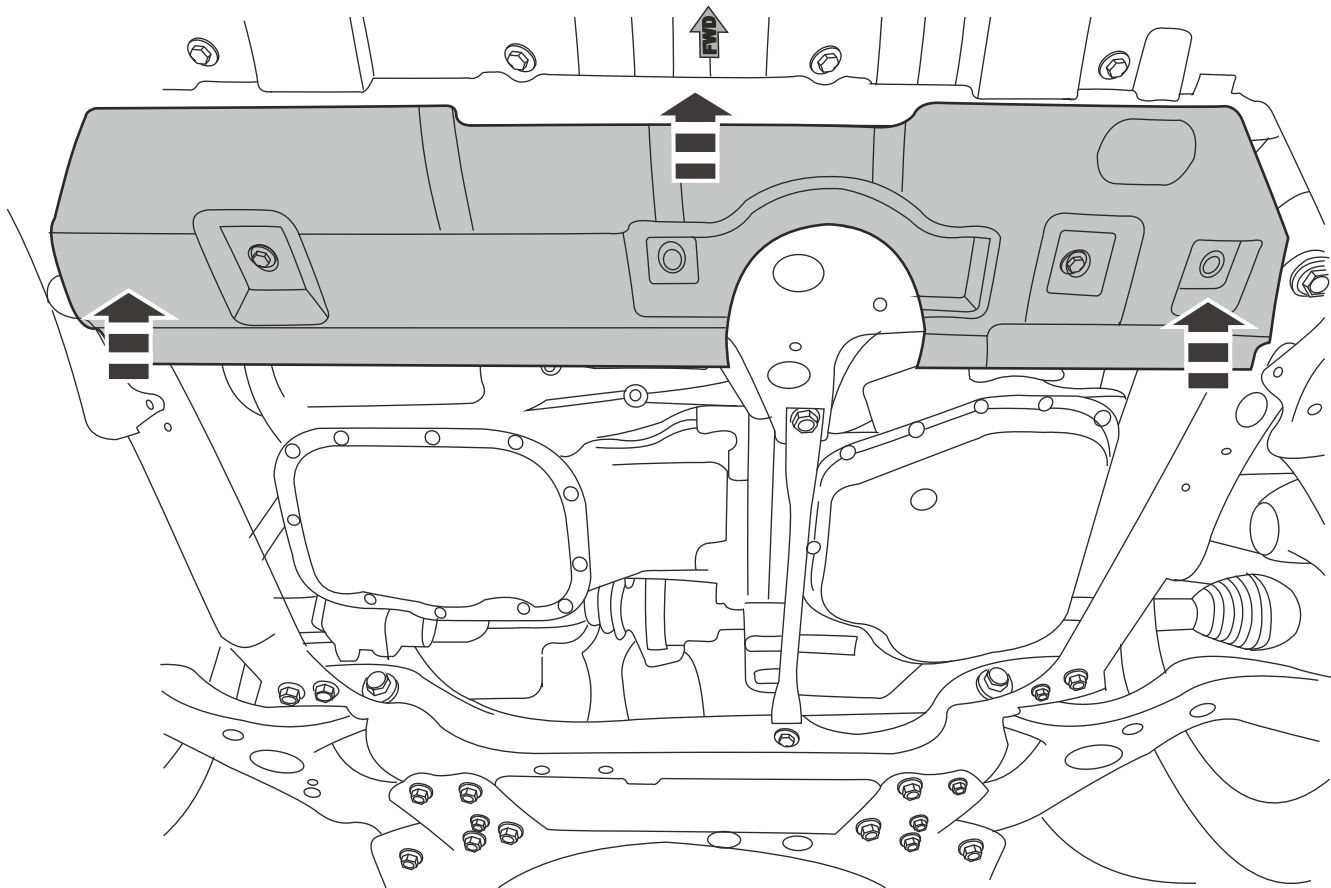
**1**



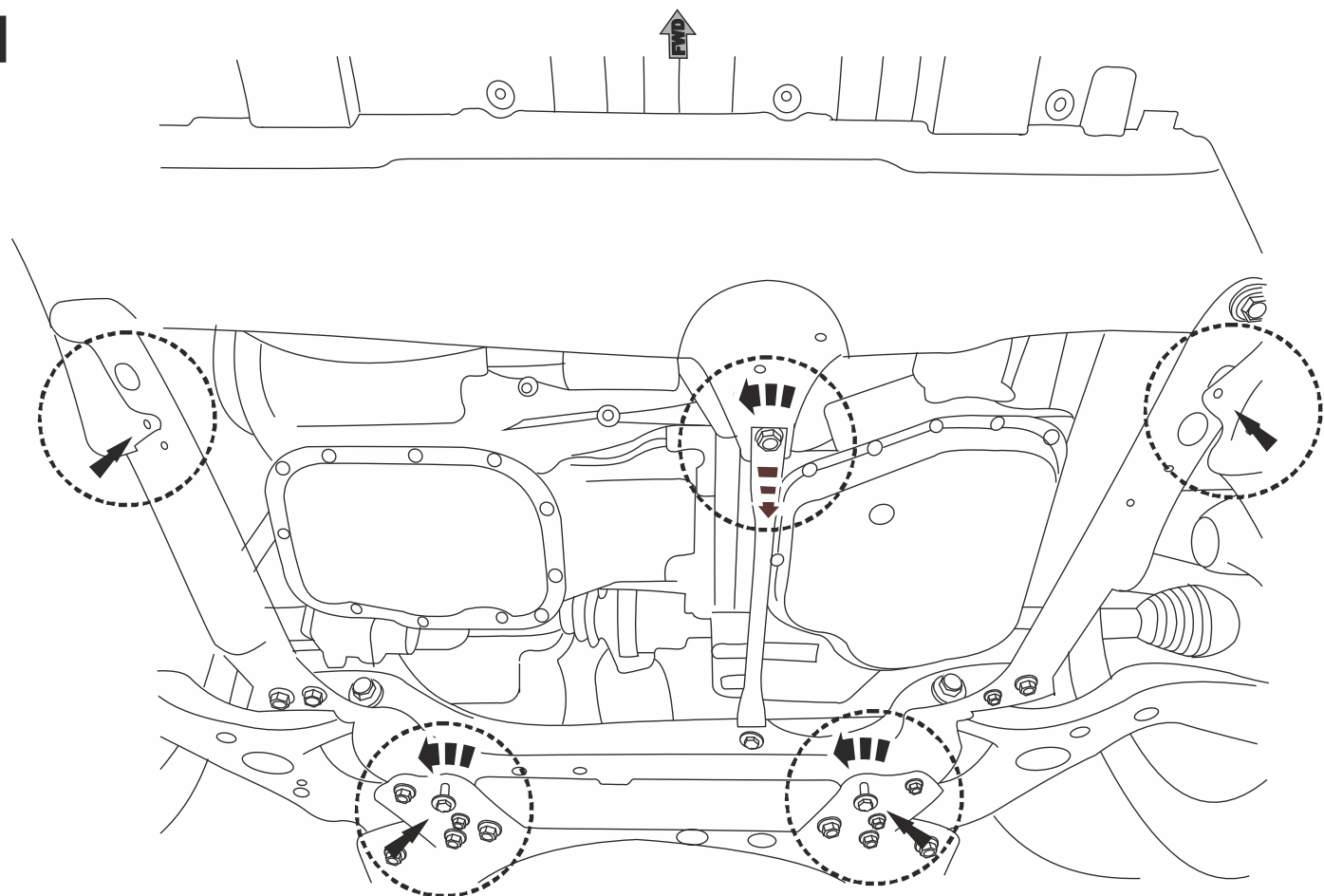
**2**



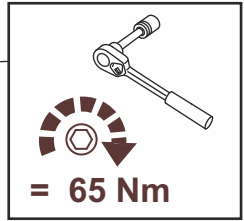
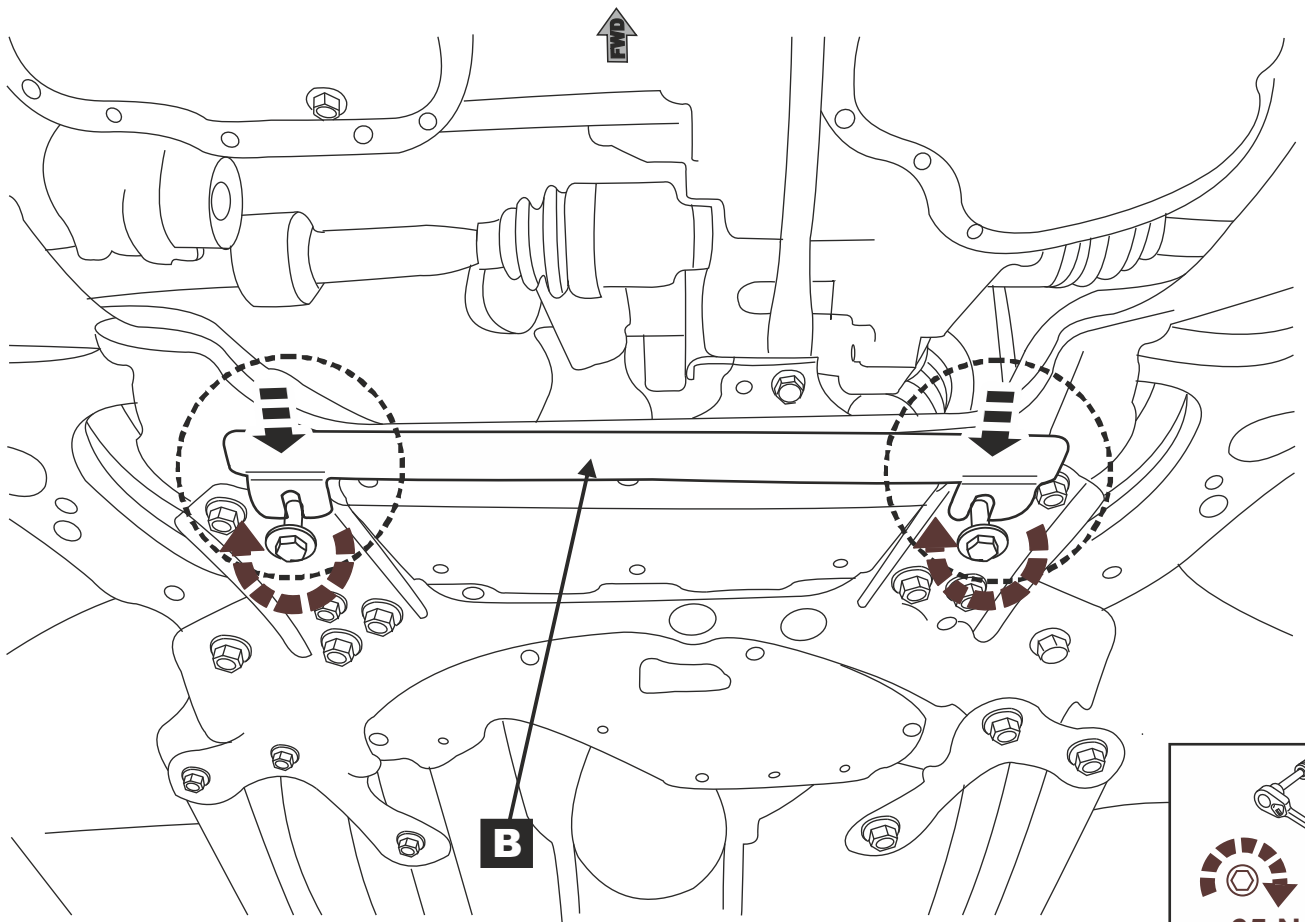
**3**



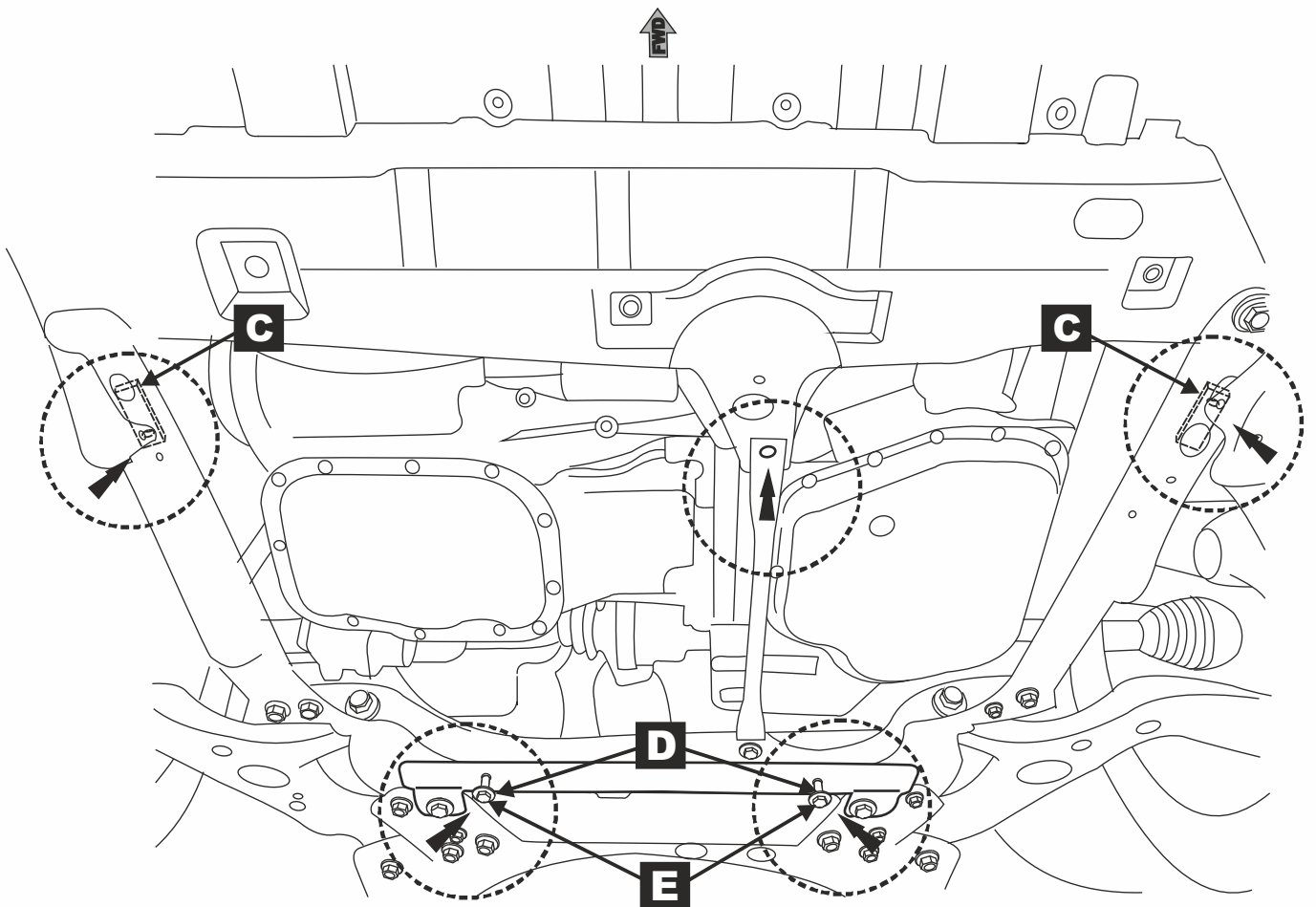
**4**



**5**

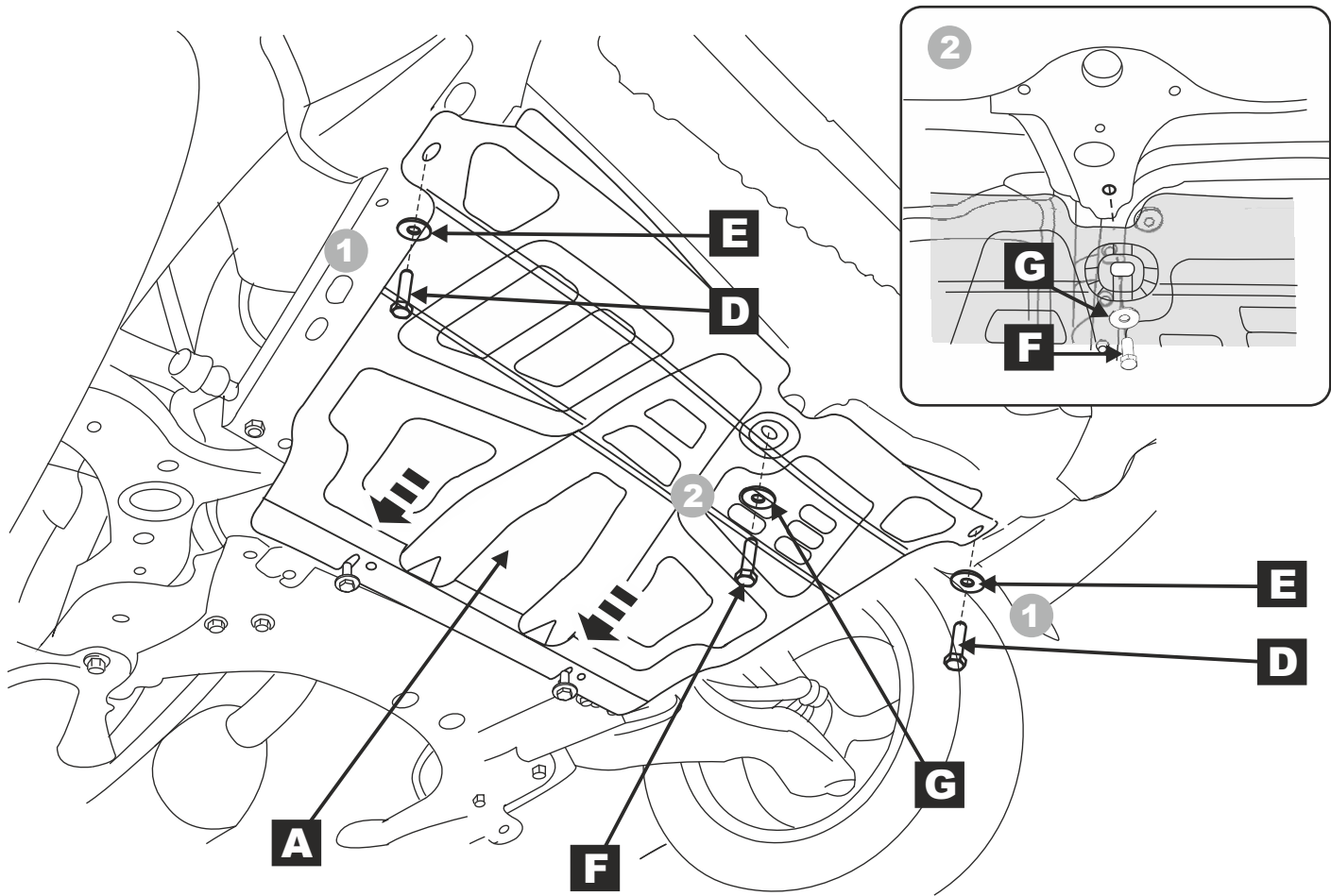


**6**





**7**



**8**

